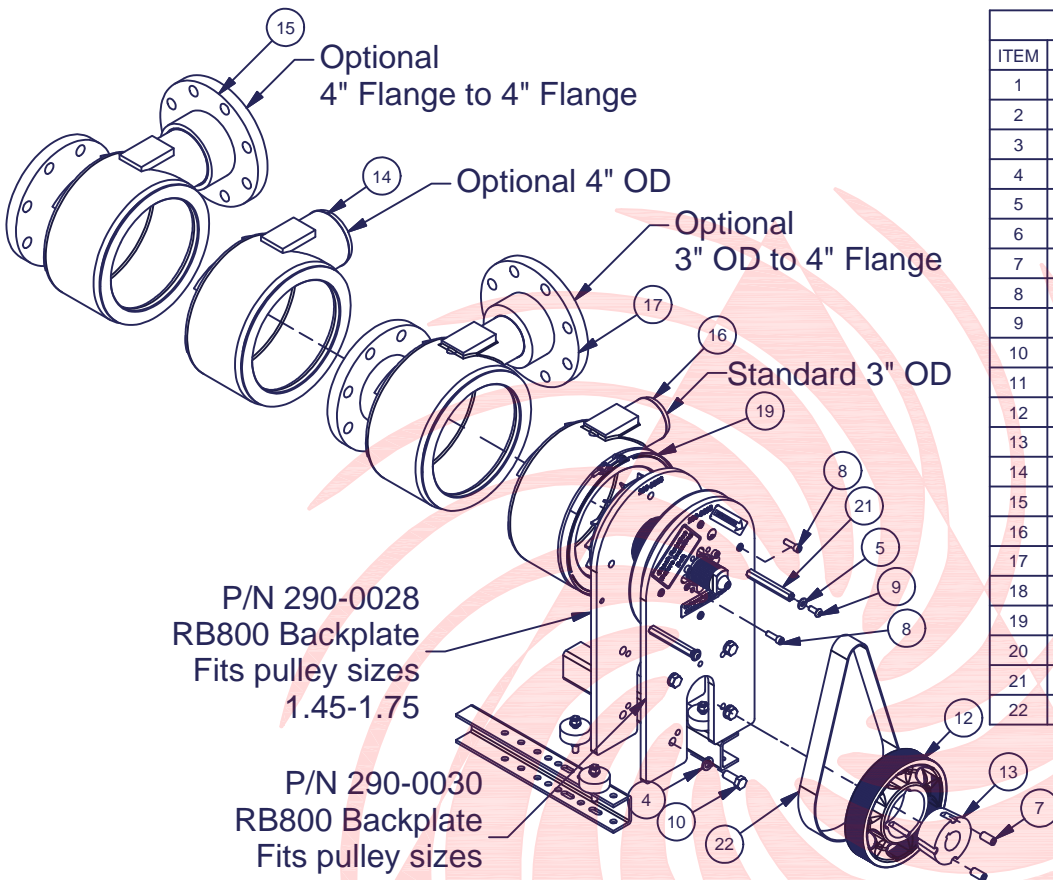
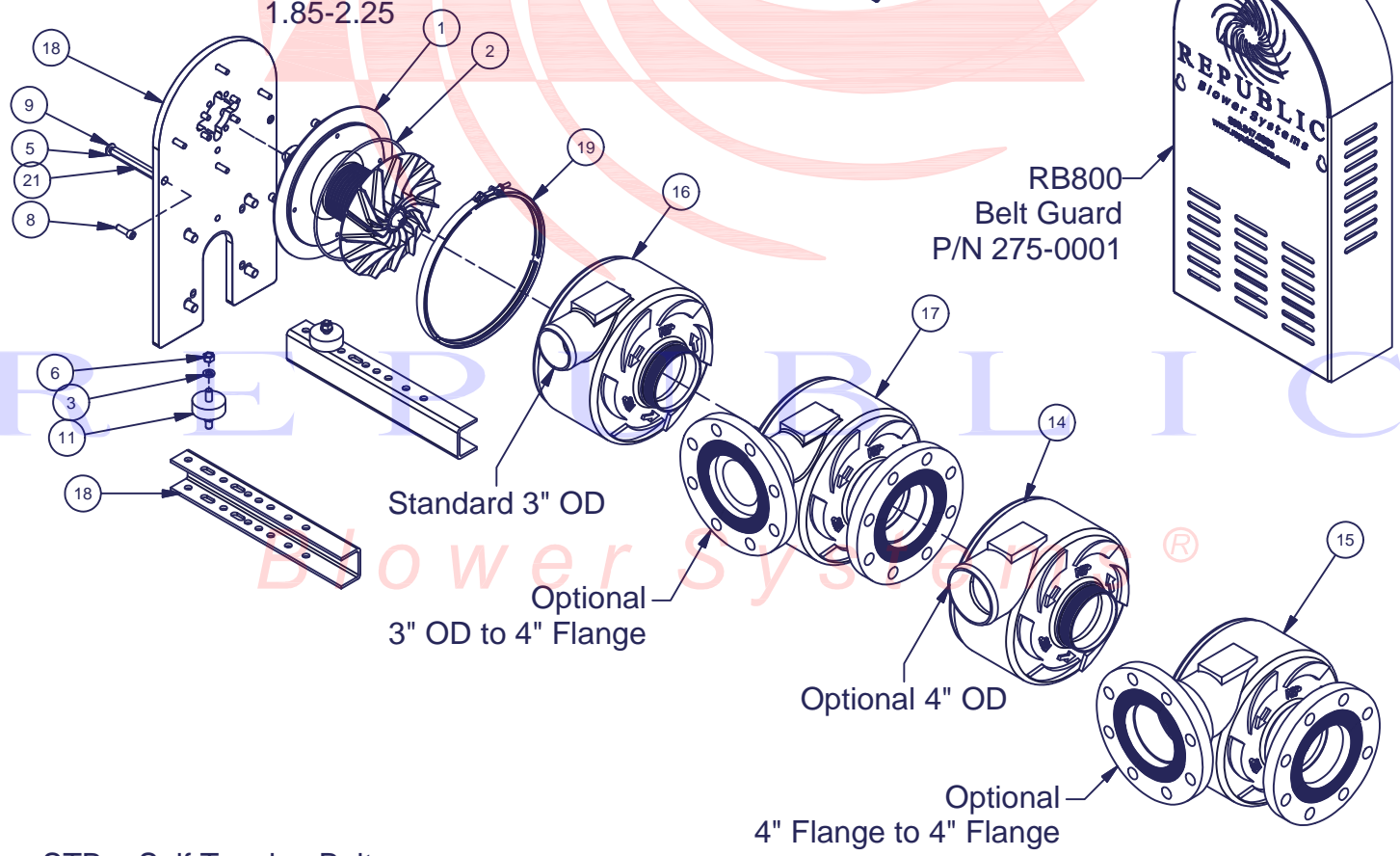




REPUBLIC
Blower Systems®



Bill of Materials			
ITEM	PART NUMBER	QTY	DESCRIPTION
1	200-9xxx	1	Bearing Housing Assembly
2	210-0200	1	O-Ring 265 Viton (Housing)
3	210-0307	4	3/8 SS Split Lock Washer
4	210-0308	4	1/2 SS Split Lock Washer
5	210-0322	2	Washer, 5/16-18 SS Flat
6	210-0902	4	3/8-16 SS Hex Nut
7	210-1005	2	Set Screw 1/2-13 x 1" Soc Cup Pt
8	210-1602	10	Screw, 5/16-18 x 1 SS SHC
9	210-1607	2	Screw, SS 5/16-18 x 3/4 Button Hd
10	210-1801	4	Screw, 1/2-13 x 1.25 SS Hex Hd
11	210-2200	2	Isolator Mount
12	230-1026	1	RB800 Cast Motor Pulley
13	230-4002	1	1-3/8" Bore Taper Lock Bushing
14	250-0300	1	4" Port CAST Blower Housing
15	250-0300FL	1	RB1200 Blower Flange Hsg
16	250-0301	1	3" Port CAST Blower Housing
17	250-0301FL	1	RB800 Blower Flanged Hsg
18	250-0650	2	Mount Motor
19	250-0900	1	Band Clamp
20	275-0001	1	RB800 Belt Guard
21	275-0100	2	Stand-Off
22	RB 800 Belt	1	Belt



STB = Self Tension Belt

Baldor RB800-STB Blower Dimensions	200-8500-STB
------------------------------------	--------------