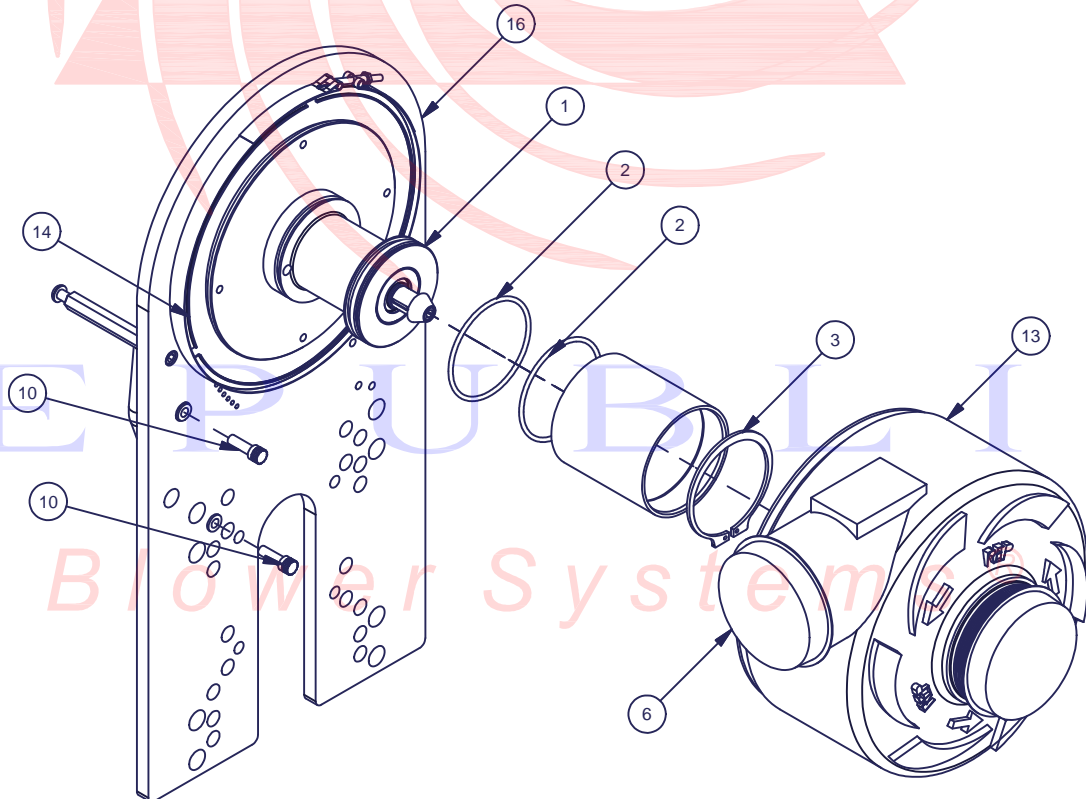


Bill of Materials			
ITEM	PART NUMBER	QTY	DESCRIPTION
1	200-9xxxWC	1	RB800/RB1200HC/RB2400 Water Cooled Bearing Housing Assy
2	210-0201	2	O-Ring 236 Viton
3	210-0500	1	Retaining Ring Water Sleeve
4	210-1604	2	5/16-18 x 3/4 SS SHC Screw
5	210-1607	2	Screw, SS 5/16-18 x 3/4 Button Hd
6	210-2101	2	Cap Plug 4in LLC Red
7	210-2301	1	Helicoil 3/8-16, 11856CN375
8	210-3004	2	Fitting Ext.Swivel Elbow 6525-8
9	210-3005	2	Fitting Plug-in Elbow 6555-8-8
10	210-3006	2	Fitting Plastic Plug 6900-8
11	210-3007	2	Fitting BulkHead Union 6590-8
12	210-3008	1	Tubing Teflon 3/16 ID x 5/16 OD
13	250-0300	1	4" Port CAST Blower Housing
14	250-0900	1	Band Clamp
15	275-0100	2	Stand-Off
16	290-0000	1	RB1200 Back Plate



RB1200HC Water-Cooled Option Assembly	200-9600WC
---------------------------------------	------------